



# EXTENDO-MAX 100.V™

RIDG-U-RAK, INC. • NORTH EAST, PA 16428 • 814-725-8751 • FAX: 814-725-5659

**NEW "V" ROLLER SHELF DESIGN**

## Roll-out Shelves

Extend 100% for easy access.  
"V" roller ensures smooth operation.

## Roll-out Shelf Capacity

2,000 or 3,000 lbs. per shelf based on evenly distributed loading.

## Standard Shelf Sizes

36" W x 36" D, 36" W x 48" D,  
48" W x 36" D, 48" W x 48" D  
(Other sizes available)

## Adjustability

Shelves vertically adjustable on 2" centers.

## Rack Height

Six standard heights available from 60¼" to 120¼".

## Add-on Sections

Starter units easily accept add-on units for future expansions.

## Options

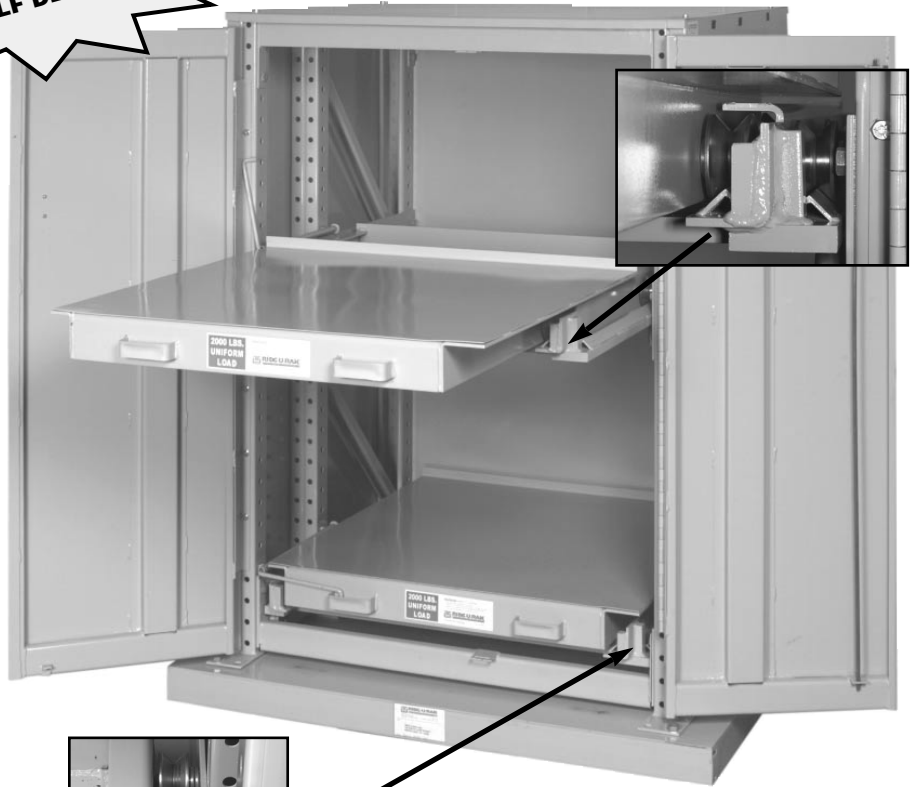
Available options include sides, backs, doors, individual shelf locks, and multiple shelf lock.

## Color

Standard color is powder coat light gray.

## Installation

Units must be securely anchored to the floor and level.



The new "V" roller shelf guide mechanism improves drawer operation for retrieving heavy loads.

## Ideal Applications

- Aircraft and automotive industry
- Plastics industry
- Tool and die storage
- Steel mills and fabrication
- Storage of heavy valuable items

**Call the factory *today* for a free consultation.**

**Toll Free 866-479-7225**

**RMI** Member Rack Manufacturers Institute



*Famous for integrity for over 50 years*

[www.ridgurak.com](http://www.ridgurak.com)

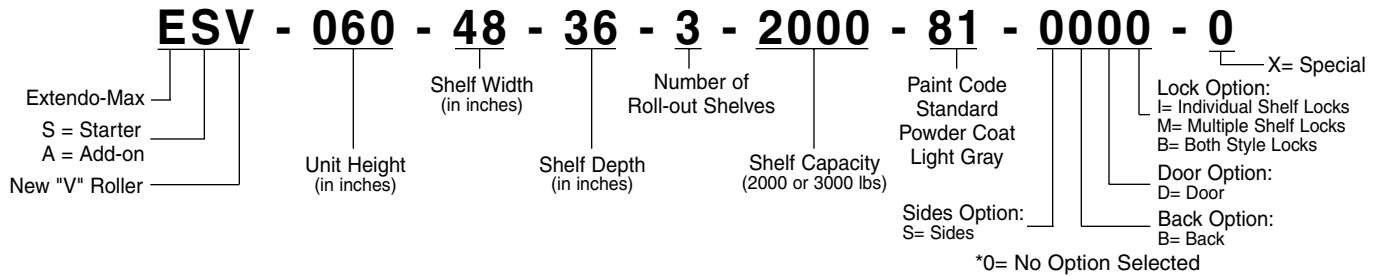


# EXTENDO-MAX 100.V™

RIDG-U-RAK, INC. • NORTH EAST, PA 16428 • 814-725-8751 • FAX: 814-725-5659

## Part Number Explanation

(Example)



## Shelf Dimensions

* Standard Models S or A
E_V-060-36-36-3
E_V-060-36-48-3
E_V-060-48-36-3
E_V-060-48-48-3
E_V-072-36-36-3
E_V-072-36-48-3
E_V-072-48-36-3
E_V-072-48-48-3
E_V-084-36-36-4
E_V-084-36-48-4
E_V-084-48-36-4
E_V-084-48-48-4
E_V-096-36-36-5
E_V-096-36-48-5
E_V-096-48-36-5
E_V-096-48-48-5
E_V-108-36-36-5
E_V-108-36-48-5
E_V-108-48-36-5
E_V-108-48-48-5
E_V-120-36-36-6
E_V-120-36-48-6
E_V-120-48-36-6
E_V-120-48-48-6

Model Number	O.A. Height	Shelf Clear.	Number of Roll-out Shelves								
			1	2	3	4	5	6	7	8	9
ESV-060	60 1/4"	M	48 3/8"	22 3/8"	12 3/8"	6 3/8"	8 3/8"	—	—	—	—
		N	—	21"	13"	9"	5"	—	—	—	—
ESV-072	72 1/4"	M	60 3/8"	28 3/8"	16 3/8"	12 3/8"	4 3/8"	10 3/8"	—	—	—
		N	—	27"	17"	11"	9"	5"	—	—	—
ESV-084	84 1/4"	M	72 3/8"	34 3/8"	20 3/8"	12 3/8"	8 3/8"	12 3/8"	12 3/8"	2 3/8"	—
		N	—	33"	21"	15"	11"	7"	5"	5"	—
ESV-096	96 1/4"	M	84 3/8"	40 3/8"	24 3/8"	18 3/8"	12 3/8"	4 3/8"	12 3/8"	14 3/8"	4 3/8"
		N	—	39"	25"	17"	13"	11"	7"	5"	5"
ESV-108	108 1/4"	M	96 3/8"	46 3/8"	28 3/8"	18 3/8"	16 3/8"	6 3/8"	12 3/8"	12 3/8"	16 3/8"
		N	—	45"	29"	21"	15"	13"	9"	7"	5"
ESV-120	120 1/4"	M	108 3/8"	52 3/8"	32 3/8"	24 3/8"	20 3/8"	8 3/8"	12 3/8"	10 3/8"	12 3/8"
		N	—	51"	33"	23"	17"	15"	11"	9"	7"

Chart gives shelf clearance for units with equally spaced shelves.

(Note: some clearances at top may be less than or greater than other shelf spacings.

See M dimension.)

**Note:** Tie brace at center of 8', 9' and 10' high units uses 1 1/4" of available shelf clearance.

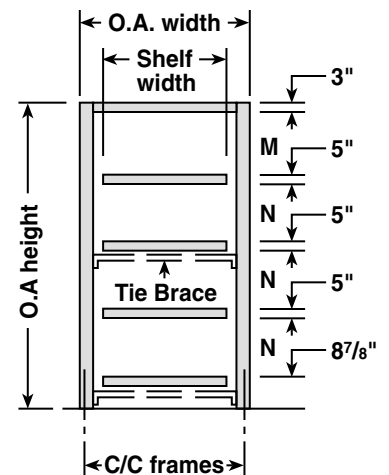
Outlined area indicates standard number of shelves.

## Frame Centerline Dimensions

C to C of 36" wide unit =  
(shelf width 36" + 5 7/16") 3' - 5 7/16"

C to C of 48" wide unit =  
(shelf width 48" + 5 7/16") 4' - 5 7/16"

**O.A. width** = centerline + 3"



\* **Note:** When specifying size, always state width first, depth second.